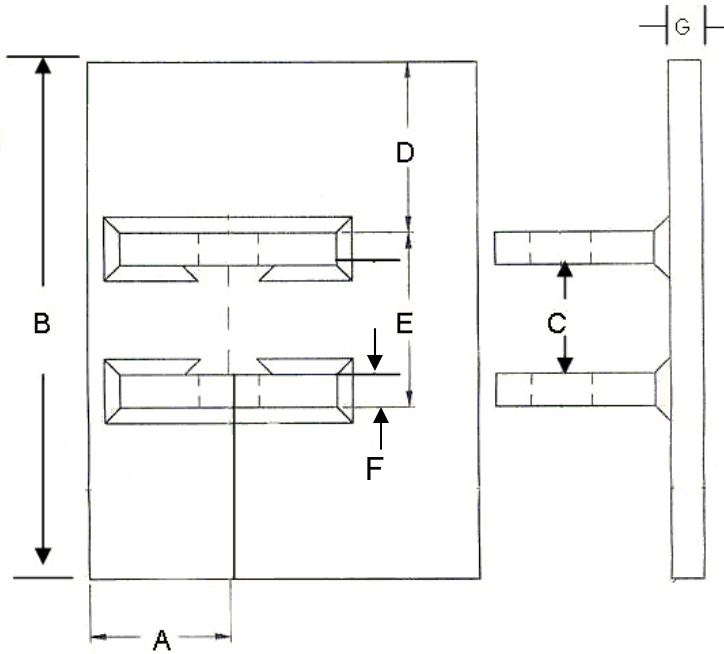


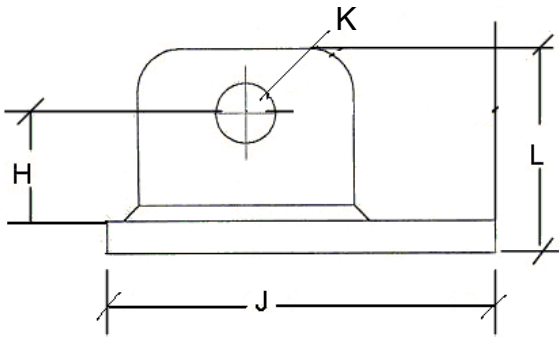
Dimensions — Base Bracket and Clevis



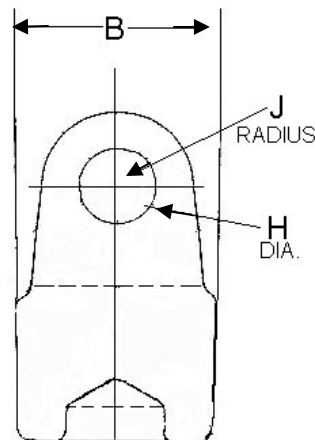
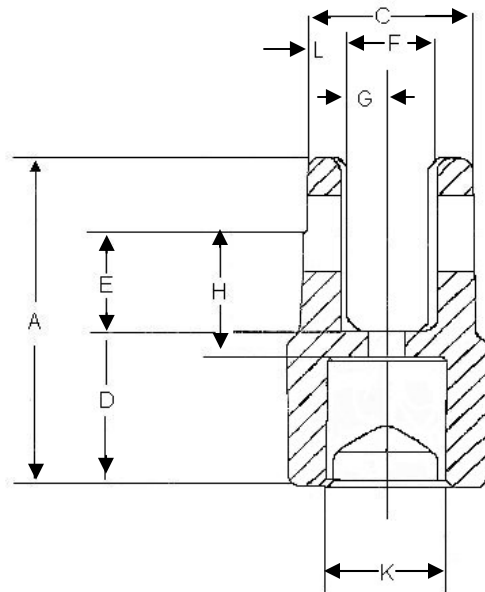
BASE BRACKET—4-56006

The solution for mounting American made D-51010 (3 ton utility hydraulic hand jack) to foreign made cranes.

These units are supplied exactly as shown with no holes in the flat plate.



Part No.	Description	A	B	C	D	E	F	G	H	J	K	L
4-56006	Base Bracket	1.620	6.000	1.250	2.000	2.030	0.375	0.375	1.250	4.500	.530	2.375
2-58204	Clevis	3.250	2.000	1.190	1.500	1.000	1.270	0.380	0.880	1.640	0.766	0.380



CLEVIS —2-58204

To adapt the top of the jack (ram), use cast clevis. Fits only the D-51010