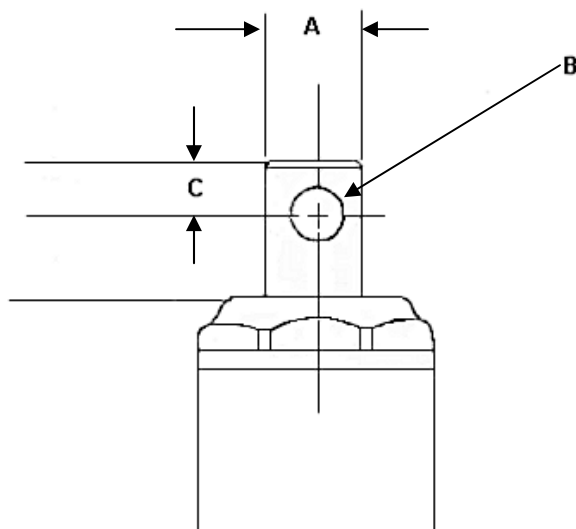
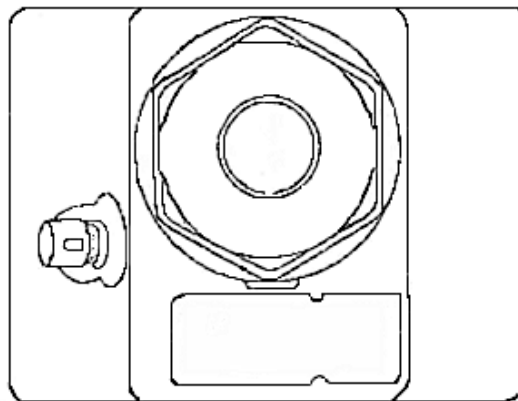


# DIMENSION INFORMATION FOR MOUNTING END OF THE RAM

JACK MODEL	RAM PART #	A	B	C
56064	56074	1.180	.280 THRU	0.650
56091	56095	1.375	.265 THRU	0.437
56100-C	56103	1.375	.641 THRU	0.625
5-51901	10-10343	0.868	.390 THRU	0.312
5-51902	10-11305	1.375	.640 THRU	0.625
5-51905	2-59833-4	1.625	.890 THRU	0.750
5-51914	10-10369	1.180	.516 THRU	0.688
D-51010-8	2-58293	1.180	.531 THRU	0.625
D-51010-C	56027	1.180	.640 THRU	0.680

## TOP VIEW OF JACK



A = RAM DIAMETER

B = HOLE DIAMETER

C = DIMENSION FROM TOP TO CENTER LINE