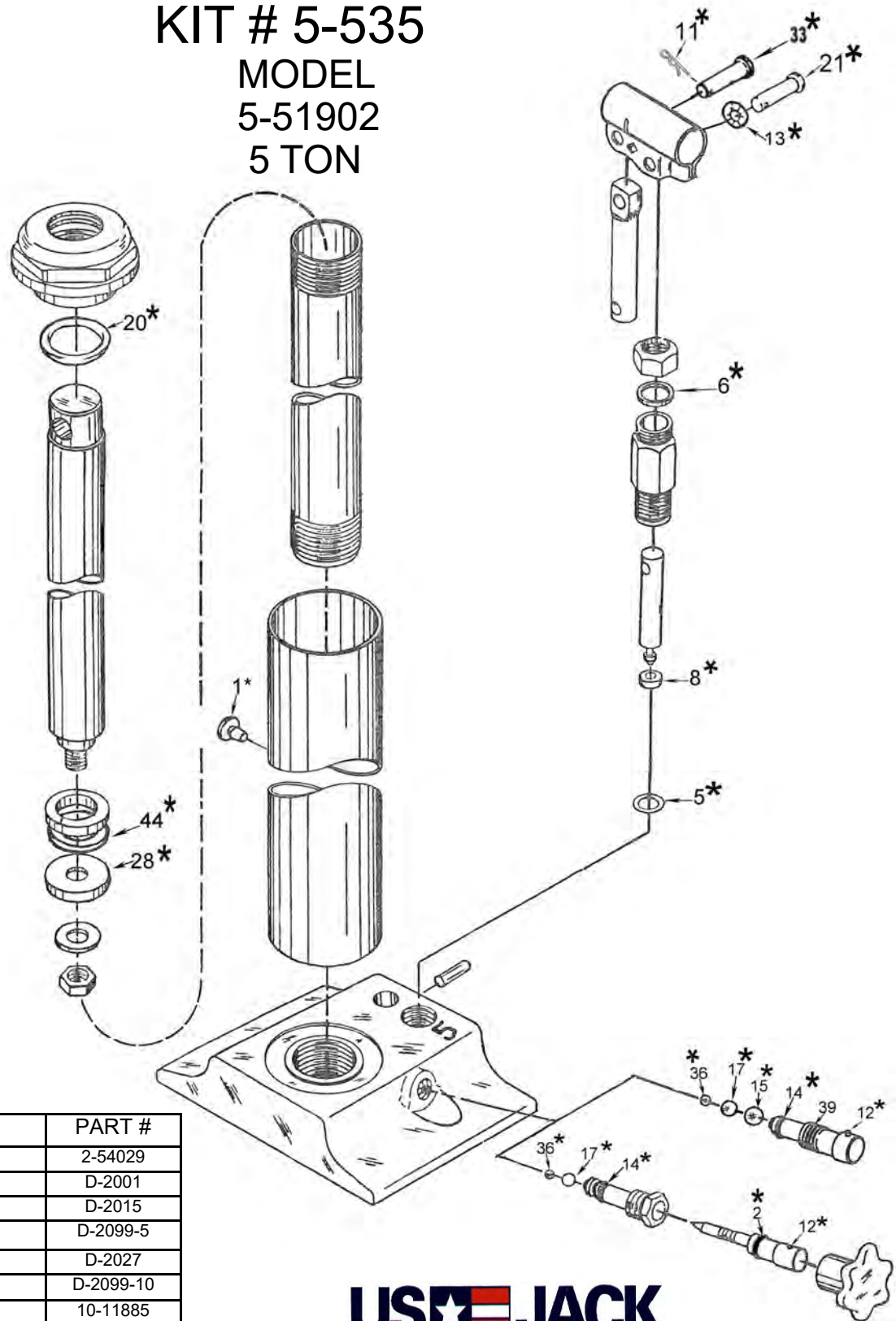


# KIT # 5-535

MODEL  
5-51902  
5 TON



ITEM #	NAME OF PART	PART #
1 *	Filler Plug	2-54029
1A*	Filler Screw	D-2001
1B *	Filler Screw Washer	D-2015
2 *	"O" Ring (1/4 x 3/8)	D-2099-5
5 *	Piston Cylinder Washer	D-2027
6 *	Pump Wiper	D-2099-10
8 *	Piston Cup	10-11885
11 *	Hinge Pin Clip	2-58541
12*	Release Screw Pin	2-58745
13 *	Retaining Ring	10-11758
14 *	"O" Ring (5/16 x7/16)	D-2099-6
15 *	Valve Ball 13/32 Dia.	D-2075
17 *	Valve Ball 5/16 Dia.	D-2070
20*	"O" Ring	D-2099-25
21 *	Handle Socket Link Pin	CH-1028
28 *	Ram Cup	D-2634-A
33 *	Handle Socket Link Pin	10-12019
36 *	Valve Ball 7/32 Dia. - 2	D-2074
44 *	Ram Cup Back-up Washer	D-7437

## US JACK

1125 INDUSTRIAL COURT  
BENTON HARBOR MI 49022

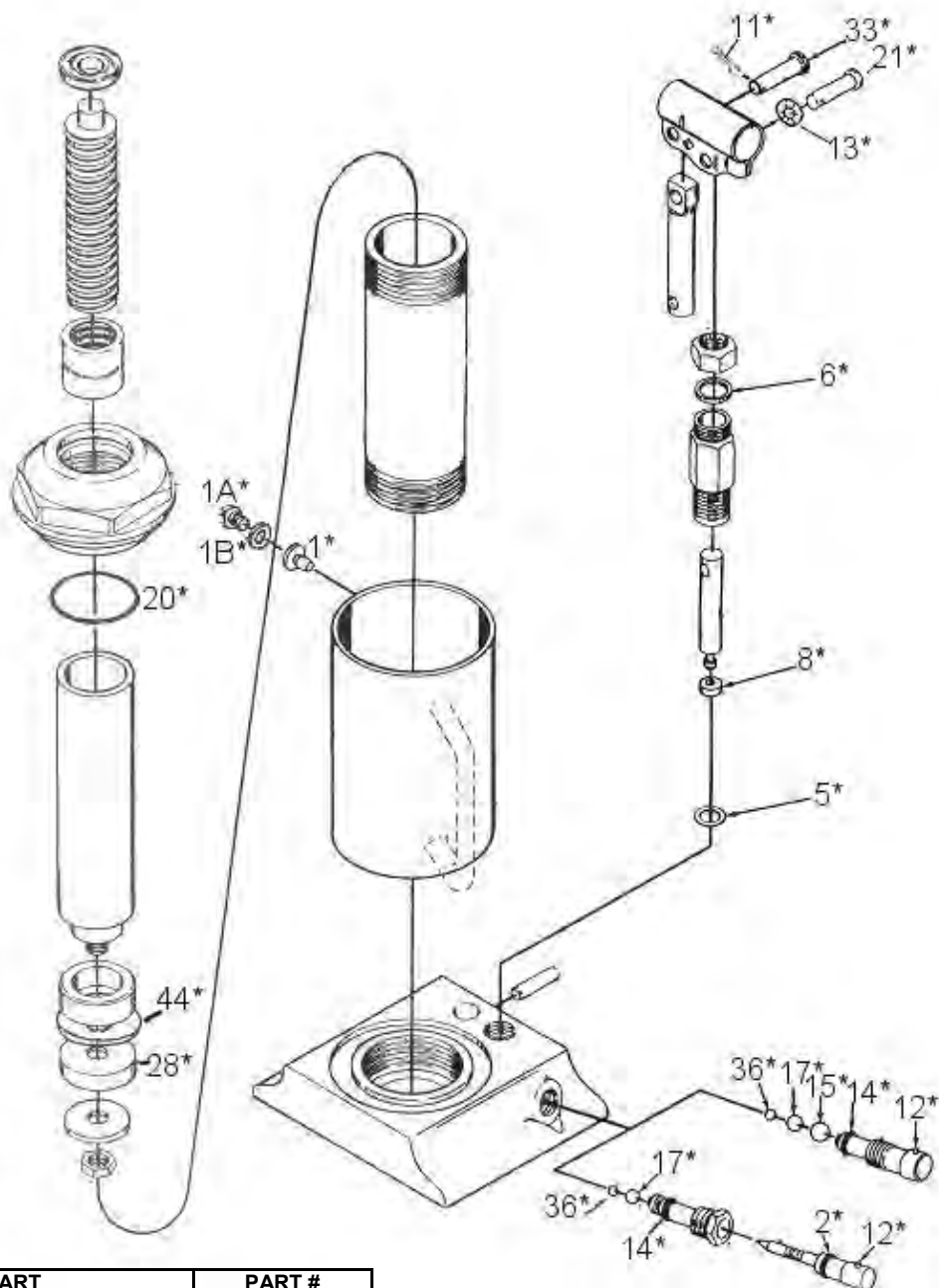
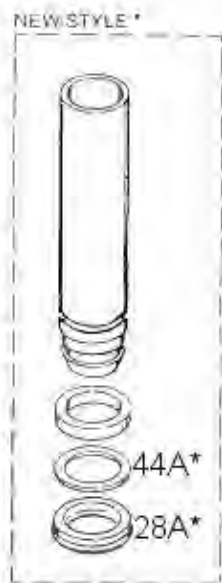
PH 269-925-7777

FAX 269-925-6656

WWW.USJACK.COM

# KIT # 5-535

MODEL  
D-51012  
5-51012  
5-51003



ITEM #	NAME OF PART	PART #
1*	Filler Plug	2-54029
1A*	Filler Screw (Old Design Only)	D-2001
1B*	Filler Screw Washer (Old Design Only)	D-2015
2*	"O" Ring (1/4 x 3/8)	D-2099-5
5*	Piston Cylinder Washer	D-2027
6*	Pump Wiper	D-2099-10
8*	Piston Cup	10-11885
11*	Hinge Pin Clip	2-58541
12*	Release Screw Pin	2-58745
13*	Retaining Ring	10-11758
14*	"O" Ring (5/16 x 7/16)	D-2099-6
15*	Valve Ball (13/32 Dia. )	D-2075
17*	Valve Ball (5/16 Dia.)	D-2070
20*	"O" Ring	D-2099-25
21*	Handle Socket Link Pin	CH-1028
28*	Ram Cup (Old Design Only)	D-2634-A
28A*	Ram Cup	2-58350-3
44*	Ram Cup Back-up Washer(Old Design Only)	D-7437
44A*	Ram cup Back-up Ring	2-58611-3
33*	Handle Socket Link Pin (1)	10-12019
36*	Valve Ball (7/32 Dia - 2)	D-2074



1125 INDUSTRIAL COURT  
BENTON HARBOR MI 49022  
PH 269-925-7777