



PORTABLE
HYDRAULIC JACK
3-5-8 Ton
Hi-Range
Part Sheet 56330

PRODUCT INFORMATION

HIGH RANGE MODELS

D-51011 (3 TON)

D-51012 (5 TON)

D-51013 (8 Ton)

OPERATING INSTRUCTIONS

PROPER USE

1. Center the cap under the load.
2. When lifting on load rest be sure that load is centered and that lift is perpendicular. Lifting on a angle places excessive side strain on ram. Internal PSI capacity is 10,000 pounds.
3. Do not push load off jack.
4. Always use axle stands to support vehicle before making under-vehicle repairs.

A. TO OPERATE

1. Open release valve and pump handle several times. This will eliminate any airbound condition that may have occurred during shipment.
2. Engage the slotted end of the handle with the head of the release screw.
3. Close release valve by turning to right.
4. Insert handle in handle socket and operate the pump.

B. IF JACK WILL NOT OPERATE

1. Release valve may be open— Turn to right to close.
2. No oil in reservoir—with jack in closed position, place in upright position and add hydraulic jack oil through filler plug until oil is level with filler hole. **DO NOT USE ALCOHOL, GLYCERINE, BRAKE FLUID, THICK OR DIRTY OIL.**
3. Intake and pressure valves may be held open by foreign matter— Use operating instructions A-1.
4. Jack will not operate on side —jack may have been placed on wrong side. The side to which the handle socket is attached must be down.
5. Too much oil in the reservoir—Too much oil is liable to cause a vacuum bound jack. The oil should be brought to the level of the fill plug.

C. IF JACK WILL RAISE TO LOAD BUT WILL NOT LIFT IT

1. Release screw may be closed tight enough to raise ram, but not closed tight enough to lift load.
2. Ram may be at extended height—Shim jack up.
3. Ram cup may have become injured or porous, allowing oil to pass it.

4. Air under ram— When there is a quantity of air under the ram, the ram will raise until it hits the load, then it will stay there until there has been sufficient number of pump strokes to compress this air to the proper pressure to lift the load. If this happens, turn jack upside down with ram extended, open release screw and close jack completely. This will cause air to return to oil reservoir.
5. Sticky valves— Empty all oil from reservoir and refill with gasoline or naphtha. Flush as recommended in operating instruction A-1. Then fill with new hydraulic jack oil.

D. IF JACK WILL NOT HOLD LOAD

1. Release valve may not be tight enough.
2. Ram cup may have become injured, allowing oil to pass it.
3. Ball valves may not be seated properly—Flush off as prescribed in operating instructions A-1. The construction of this jack makes the ball valves readily accessible for cleaning. Remove release screw. Remove valves by tipping the jack forward and catching these parts in the hand or a container, place jack on back side with label up to avoid loss of oil. After washing ball valves in kerosene, assemble in reverse order. Replace ball if flat spots or pitted surfaces are found.

MAINTENANCE

1. Refill only with recommended jack oil. Never use a substitute.
2. Use every precaution to prevent entrance of dirt when refilling jack.
3. Store in upright position in a dry place.
4. When stored, the ram should be lowered completely. The pump piston should be in the lowest position and the release valve should be closed.

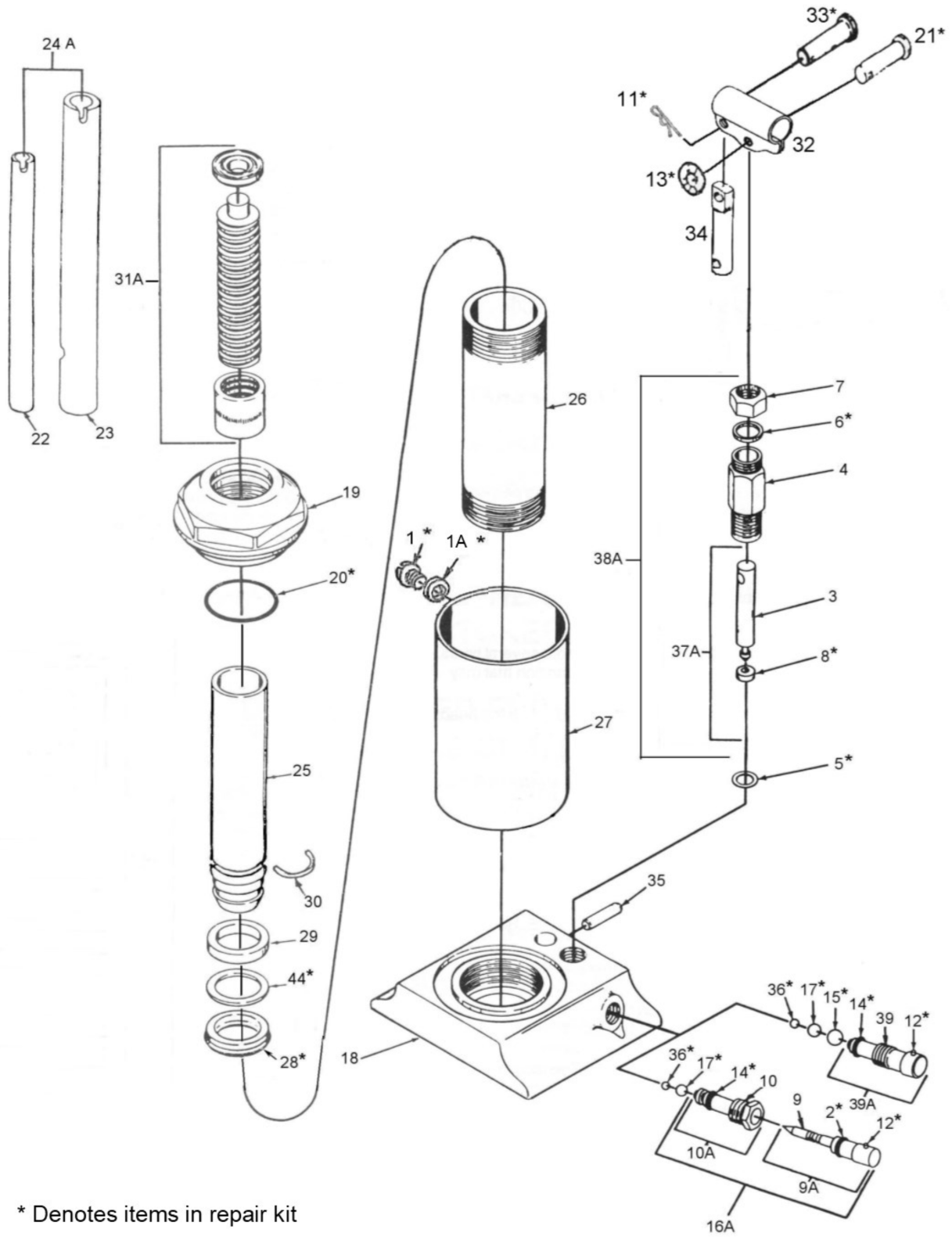
LUBRICATION

1. Oil all moving parts periodically.
2. Grease should be used on all exposed parts if jacks are constantly used under wet conditions.

CAUTION: This jack is designed for *LIFTING* purposes only.
ALWAYS use garage stands to support vehicle before making under-vehicle repairs.

Jan 21

100% USA Made



* Denotes items in repair kit

Item No.	Name of Part	3 Ton	5 Ton	8 Ton
		D-51011	D-51012	D-51013
1*	Filler Plug	2-54049	2-54029	D-2001
1A*	Filler Plug Seal Washer	N/A	N/A	56141
2*	"O" Ring (1/4 x 3/8)	D-2099-5	D-2099-5	D-2099-5
3	Pump Piston	56271	56271	56271
4	Pump Cylinder	D-2044-A	D-2044-A	D-2044-A
5*	Piston Cylinder Washer	D-2027	D-2027	D-2027
6*	Pump "O" Ring	D-2099-10	D-2099-10	D-2099-10
7	Piston Packing Nut	10-11740	10-11740	10-11740
8*	Piston Cup	56272	56272	56272
9	Release Screw	2-58437	2-58437	2-58437
9A	Release Screw Sub-Ass'y	2-58437	2-58437	2-58437
10	Release Insert	2-58436	2-58436	2-58436
10A	Release Insert Sub-Ass'y	4-58462	4-58462	4-58462
11*	Retaining Clip	2-58541	2-58541	2-58541
12*	Release Screw Pin	2-58745	2-58745	2-58745
13*	Retaining Ring	10-11758	10-11758	10-11758
14*	"O" Ring (5/16 x 7/16)	D-2099-6	D-2099-6	D-2099-6
15*	Valve Ball (13/32 Dia.)	D-2075	D-2075	D-2075
16A	Release Screw Assembly	4-58754	4-58754	4-58754
17*	Valve Ball (5/16 Dia.)	D-2070	D-2070	D-2070
18	Base	2-54030	D-2601-C	D-2801-C
19	Reservoir Head	10-11769	10-11770	10-11887
20*	"O" Ring	2-50025	D-2099-25	D-2097-1
21*	Handle Socket Link Pin	CH-1028	CH-1028	CH-1028
22	Small Pump Handle Half	2-50339	2-50339	2-50339
23	Large Pump Handle Half	2-50338	2-50338	2-50338
24A	Handle Assembly	4-50340	4-50340	4-50340
25	Ram	2-59831-2	56082	56113
26	Ram Cylinder	2-59606-2	56083	56112
27	Reservoir	10-12082	56108	56265
28*	Ram Cup	2-58350-2	2-58350-3	2-58350-4
29	Ram Spacer	D-2435-A	D-2635-A	2-59828
30	Up-Stop Ring	2-59972	2-59964	2-59970
31A	Extension Screw Assembly	19-12043	19-11899	19-12045
32	Handle Socket	10-11755	10-11755	10-11755
33*	Handle Socket Link Pin	10-12019	10-12019	10-12019
34	Handle Socket Link	D-2547	D-2547	D-2547
35	Link Pin	D-2848-A	D-2848-A	D-2848-A
36*	Valve Ball (7/32 Dia)	D-2074	D-2074	D-2074
37A	Piston Assembly	56273	56273	56273
38A	Pump Assembly	56573	56573	56573
39	Release Screw	2-50418	2-50418	2-50418
39A	Release Screw Assembly	4-50514	4-50514	4-50514
44*	Ram cup Back-up Ring	2-58611-2	2-58611-3	2-58611-4
	Repair Kit	5-532	5-535	5-538

WARNING

- A. THIS DEVICE IS A LIFTING DEVICE ONLY. THE LOAD SHALL BE SUPPORTED IMMEDIATELY BY OTHER APPROPRIATE MEANS.**
- B. DO NOT OVERLOAD. OVERLOADING CAN CAUSE DAMAGE TO OR FAILURE OF THE JACK.**
- C. LIFT ONLY ON AREAS OF THE VEHICLE AS SPECIFIED BY THE VEHICLE MANUFACTURER.**
- D. THIS JACK DESIGNED FOR USE ONLY ON HARD, LEVEL SURFACES CAPABLE OF SUSTAINING THE LOAD. USE ON OTHER THAN HARD, LEVEL SURFACES CAN RESULT IN JACK INSTABILITY AND POSSIBLE LOSS OF LOAD.**
- E. FAILURE TO HEED THESE WARNINGS MAY RESULT IN LOSS OF LOAD, DAMAGE TO THE JACK, AND/OR FAILURE RESULTING IN PERSONAL INJURY OR PROPERTY DAMAGE.**

WARRANTY INFORMATION:

All U.S. Jack manufactured products are warranted for a period of one year against defects in material and workmanship. This warranty is limited to the original consumer purchaser. Warranty does not cover damage due to accident, neglect, or misuse, or products that have been altered or modified, or to which attachments not recommended by the manufacturer have been added. Proof of purchase is required and all warranty claims should be submitted directly to U.S. JACK COMPANY.

U.S. Jack and American Pride

1125 Industrial Court, Benton Harbor MI 49022
Mailing Address: P.O. Box 8826 Benton Harbor 49023
PH 269-925-7777 Fax 269-925-6656

Visit our website: www.usjack.com